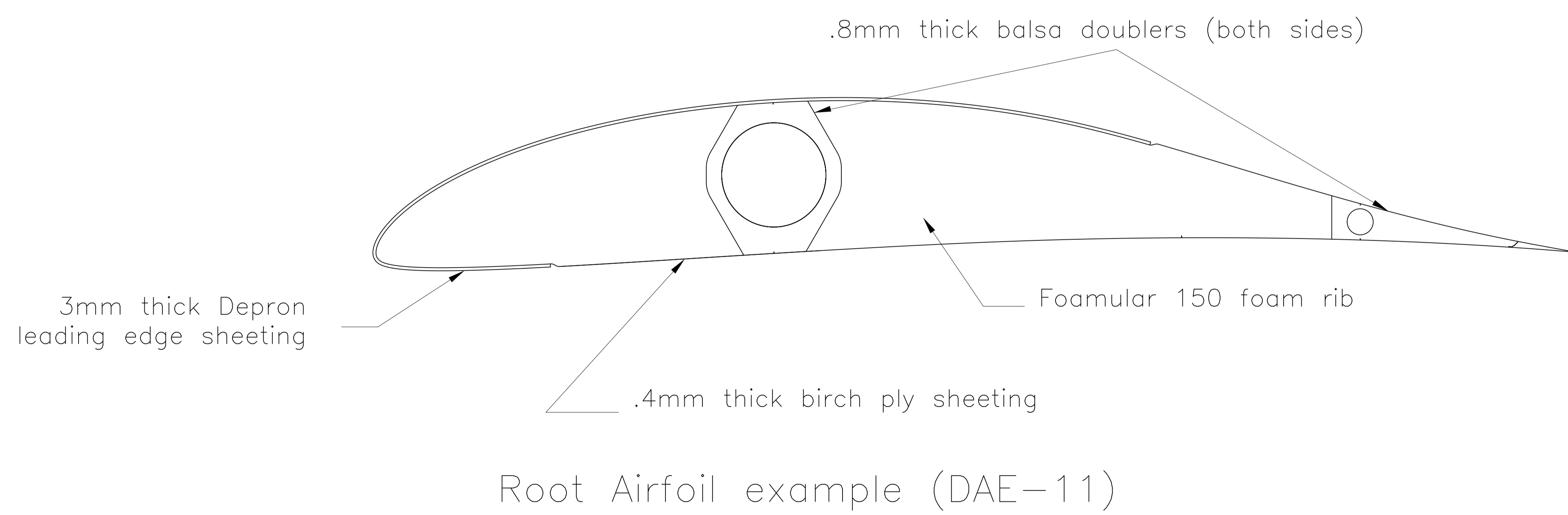
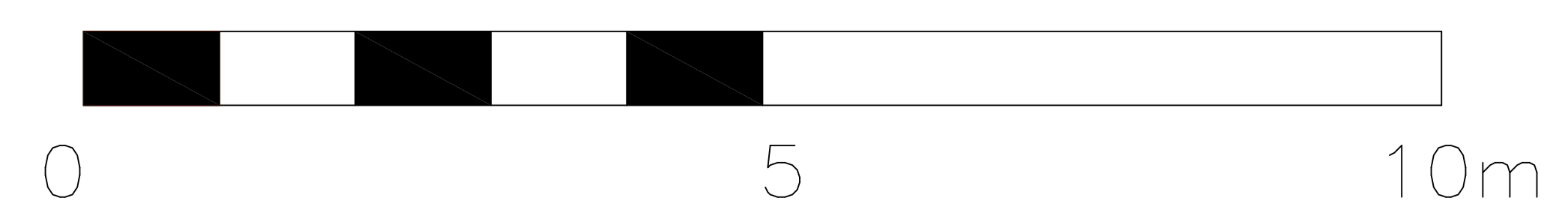


DaSH v5 Specs

- Span -- 33.3 m (109.25 ft)
- Chord (avg) -- 1.08 m (3.54 ft)
- Root Chord -- 1.17 m (3.83 ft)
- Tip Chord -- 0.73 m (2.41 ft)
- Taper Ratio -- 0.63
- Wing Area -- 35.96 m²
- Target Plane Weight -- 36.3 kg
- Max Pilot Weight -- 90 kg
- Speed at Max wt -- 6.84 m/s
- Power at Max wt -- 301 Watts



DaSH v5 preliminary 3-View



v3.4 12-Feb-2015

C:\Users\meec\Documents\DaSH_LPA_project\Logo\DaSH_Linterim_logo-20-Jul-2012.jpg